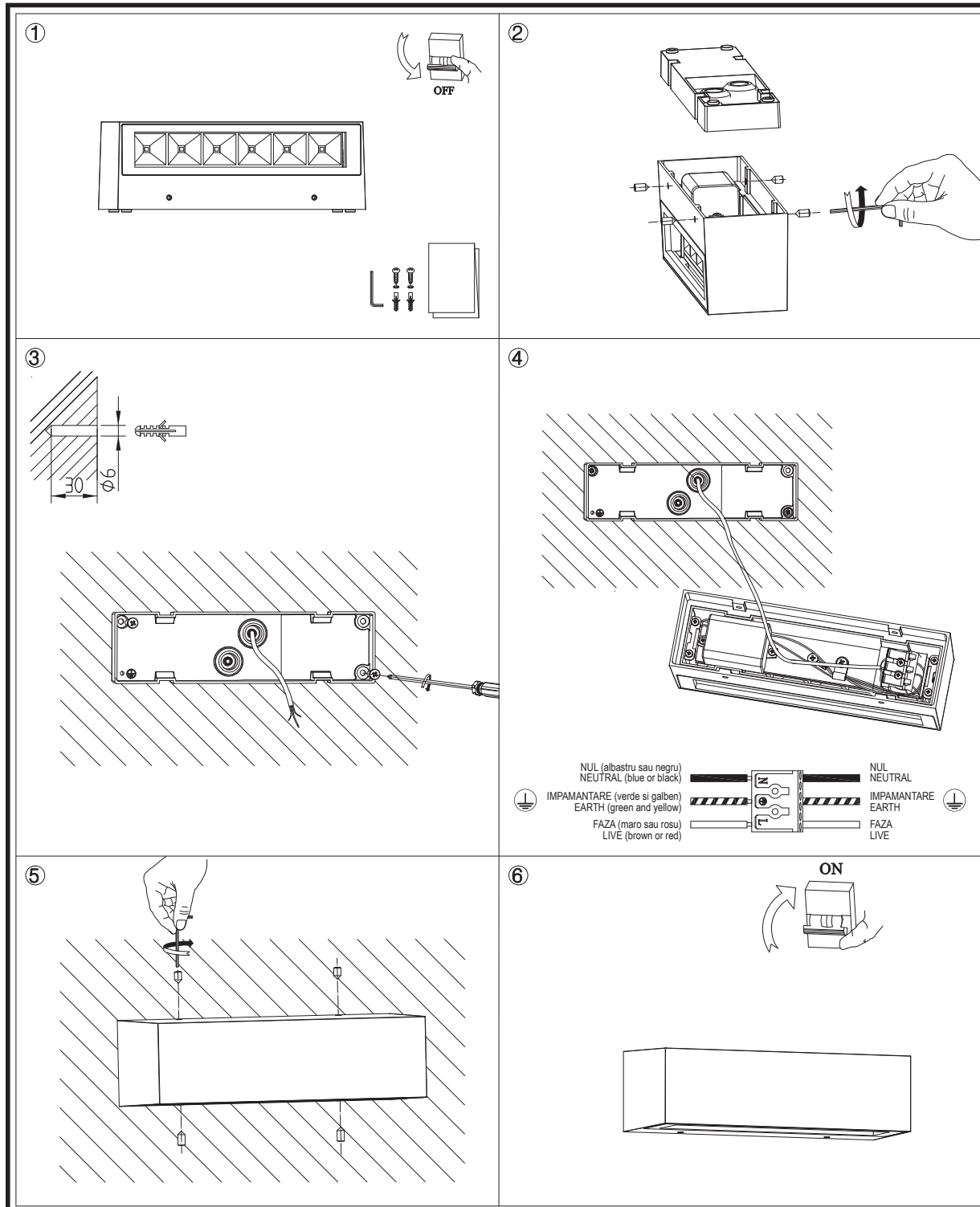
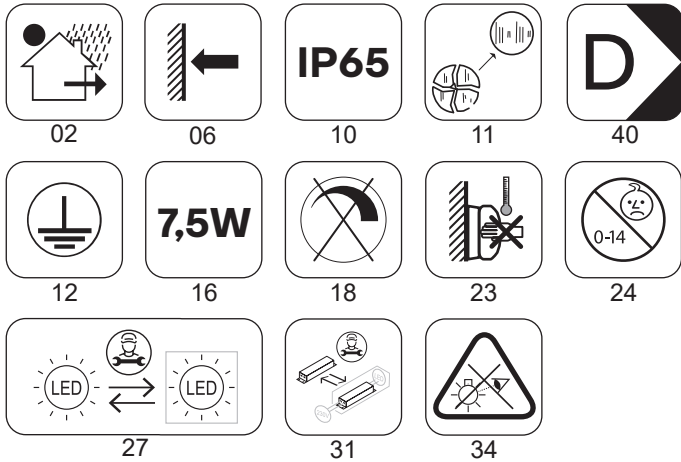
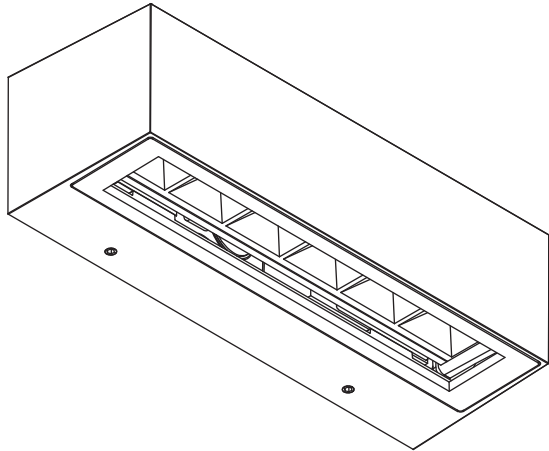


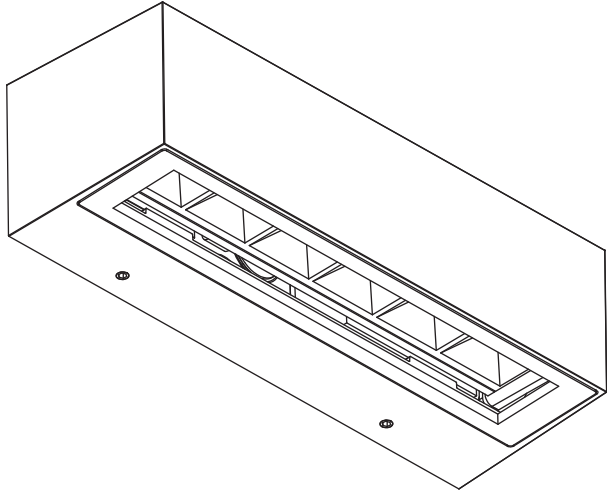
AROOS

Art. 90917, 90918, 90919, 90920, 90921, 90922
LED XT-E CREE, 7,5W



AROOS

Art. 90923, 90924, 90925, 90926, 90927, 90928
LED XT-E CREE, 14,5W



02	06	IP65 10	11	D 40
12	14,5W 16	18	23	24
27	31	34		

1

OFF

2

3

30 66

4

NUL (albastru sau negru)
 NEUTRAL (blue or black)
 IMPAMANTARE (verde si galben)
 EARTH (green and yellow)
 FAZA (maro sau rosu)
 LIVE (brown or red)

NUL NEUTRAL
 IMPAMANTARE EARTH
 FAZA LIVE

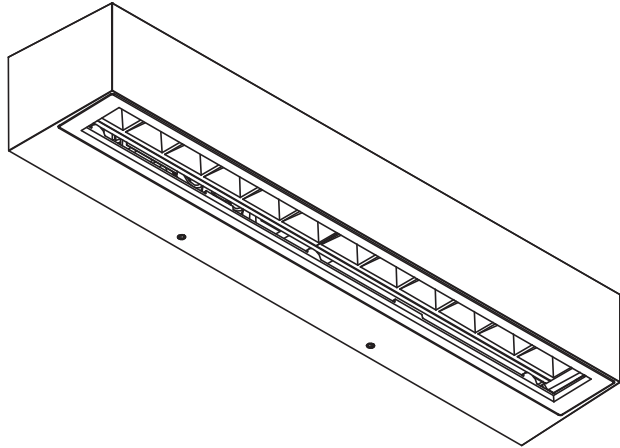
5

6

ON

AROOS

Art. 90929, 90930, 90931, 90932, 90933, 90934
LED XT-E CREE, 14,5W



02	06	10	11	40
12	16	18	23	24
27	31	34		

1

2

3

4

NUL (albastru sau negru)
 NEUTRAL (blue or black)
 IMPAMANTARE (verde si galben)
 EARTH (green and yellow)
 FAZA (maro sau rosu)
 LIVE (brown or red)

5

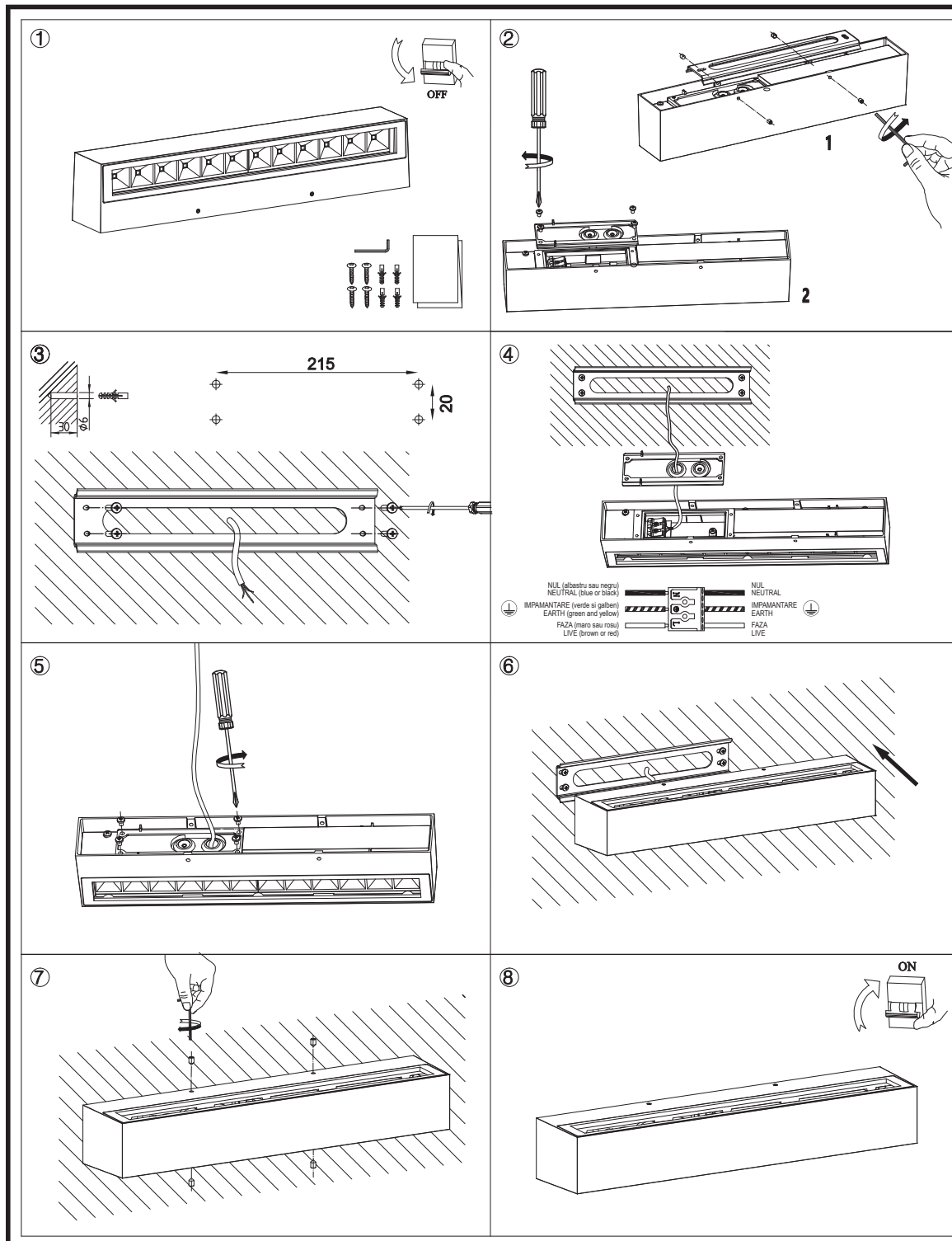
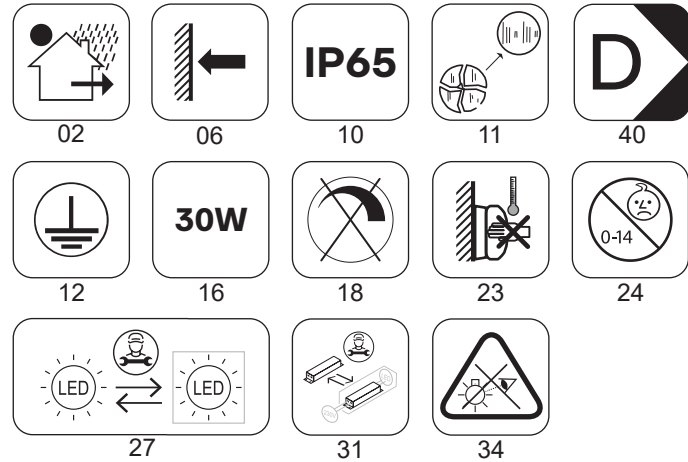
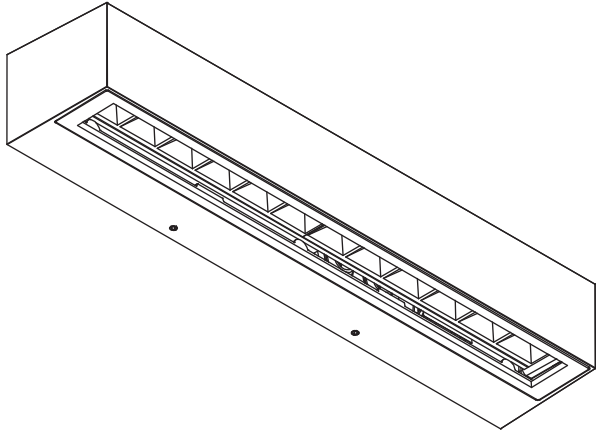
6

7

8

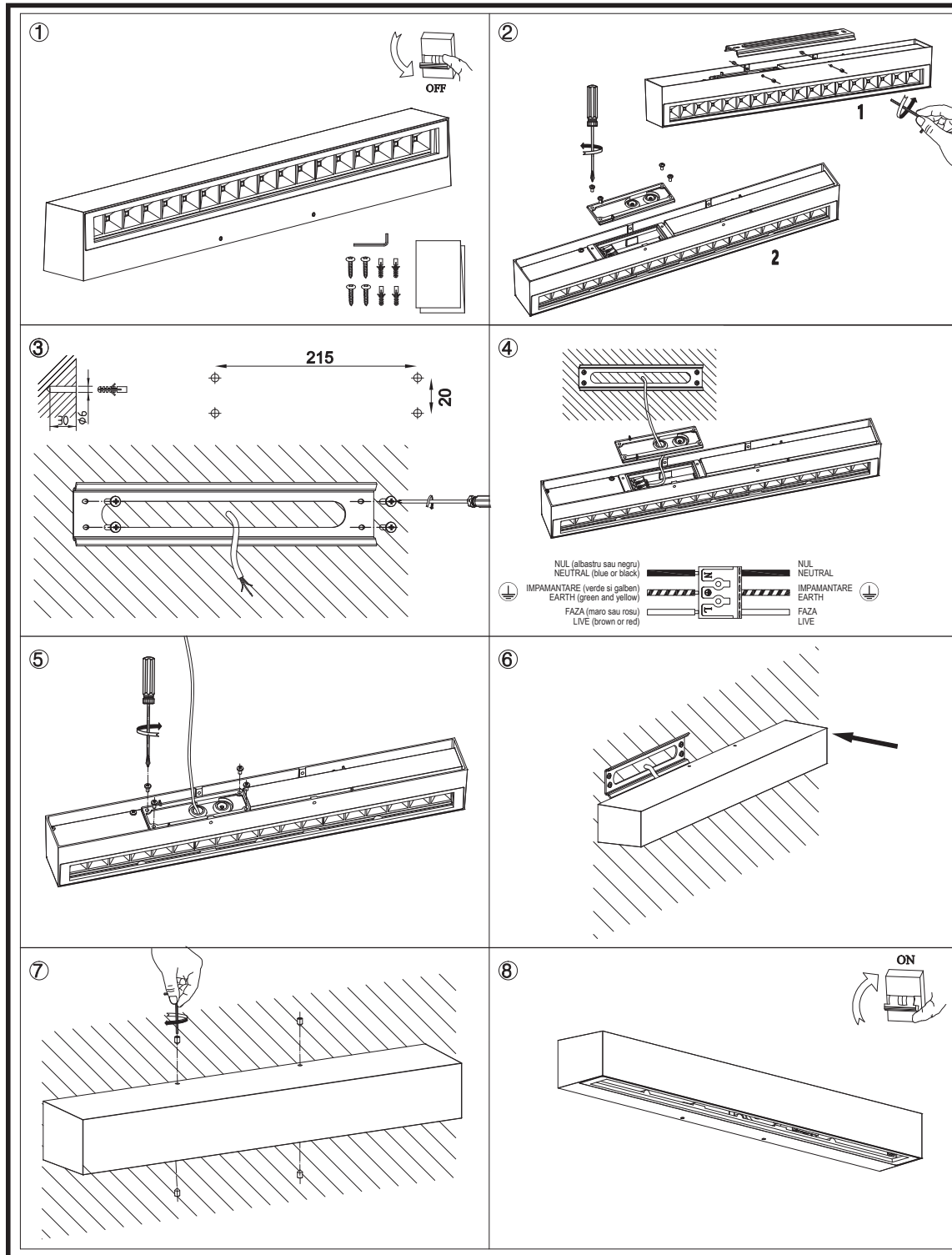
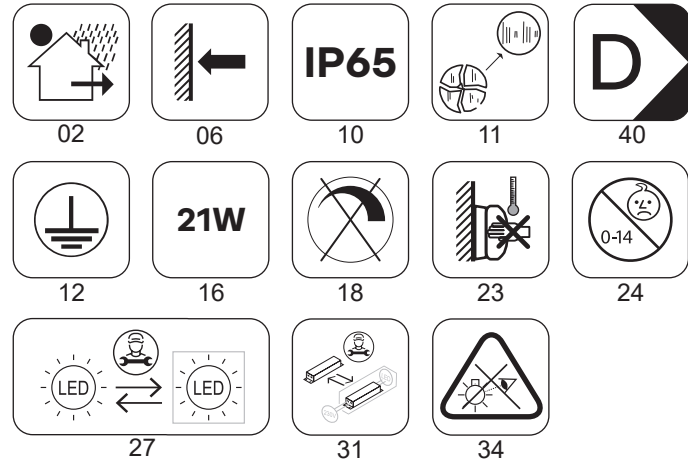
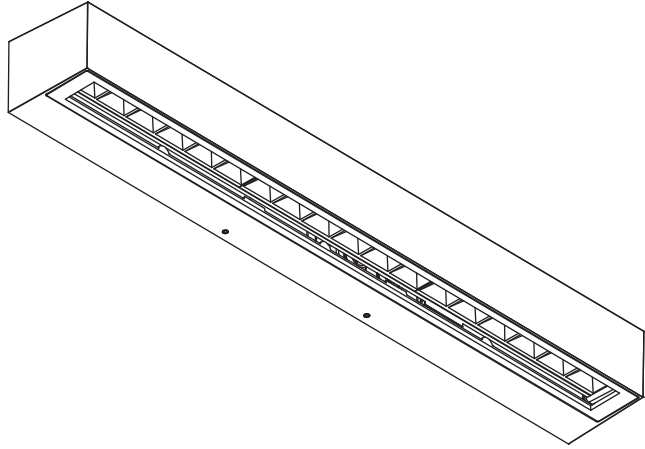
AROOS

Art. 90935, 90936, 90937, 90938, 90939, 90940
LED XT-E CREE, 30W



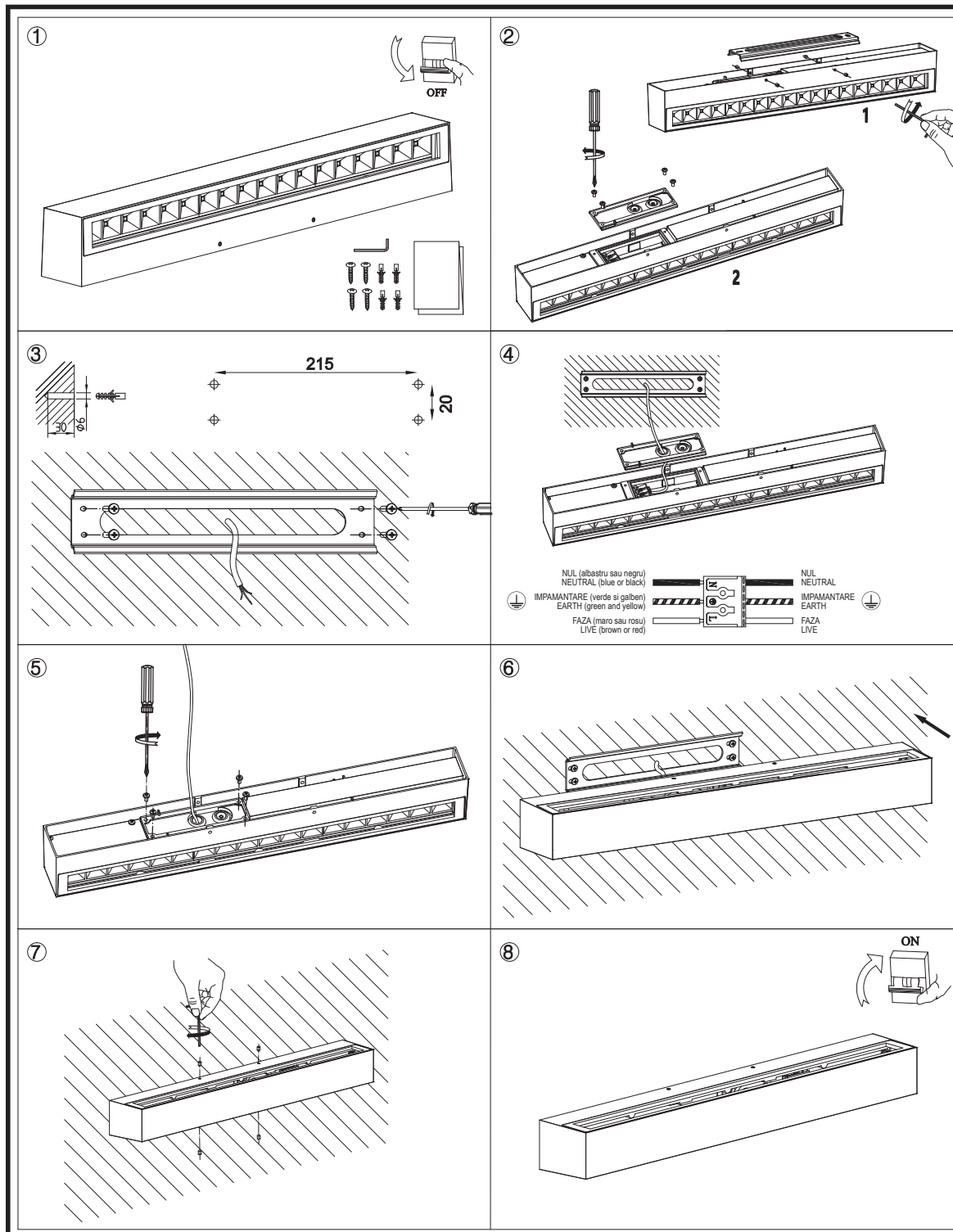
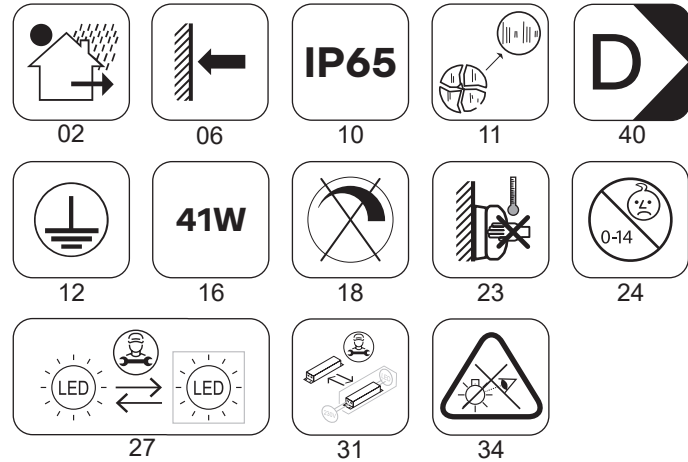
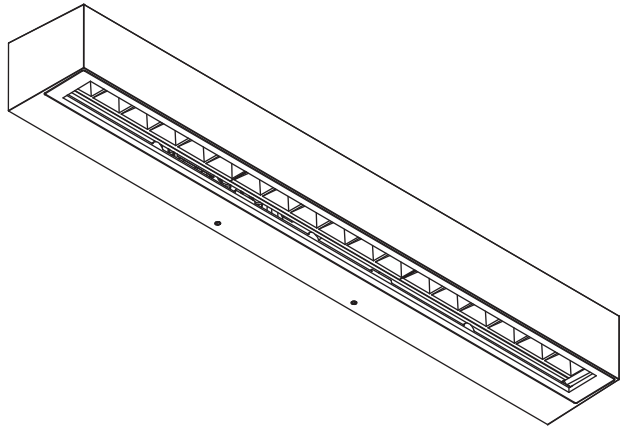
AROOS

Art. 90941, 90942, 90943, 90944, 90945, 90946
LED XT-E CREE, 21W



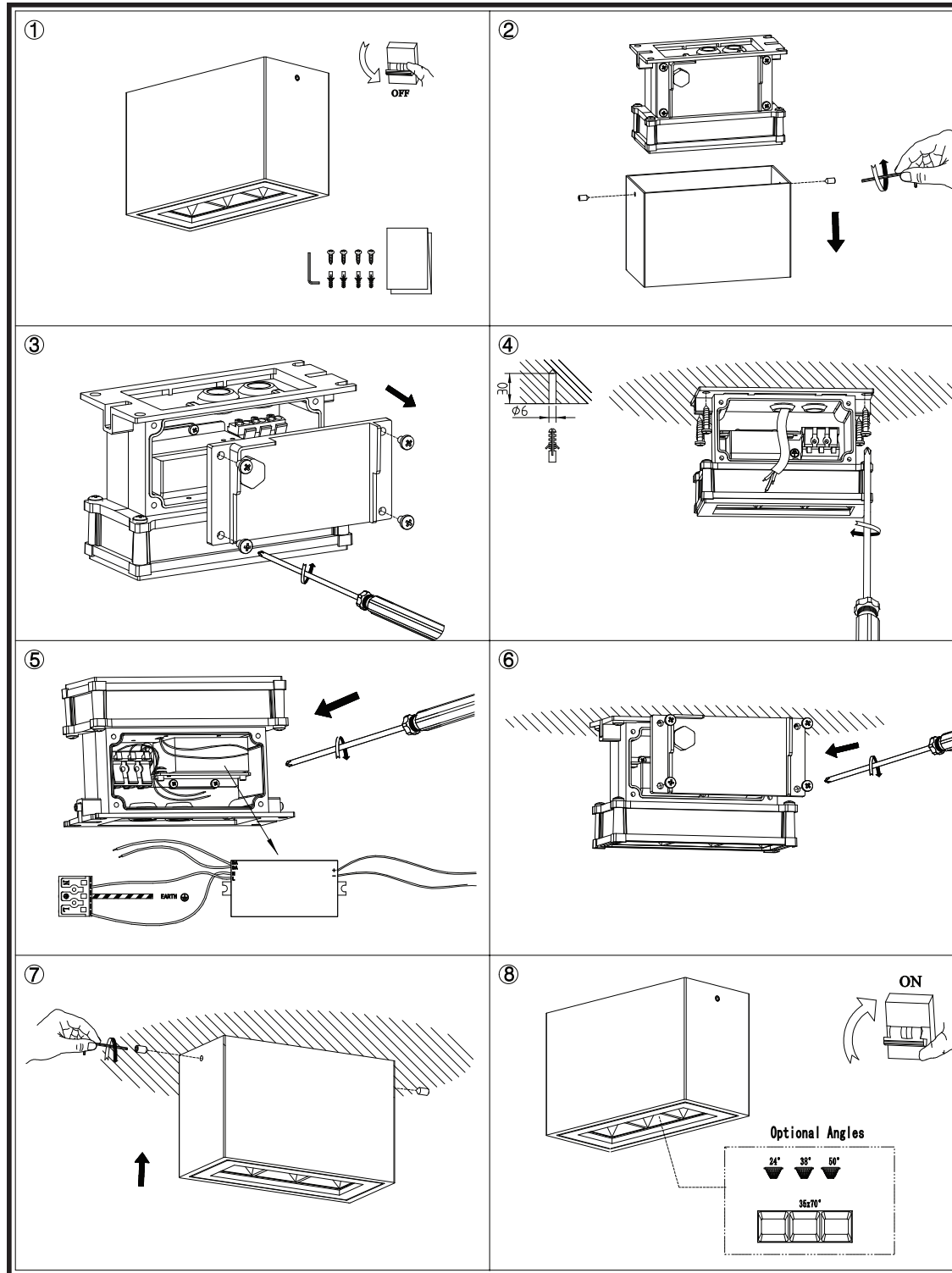
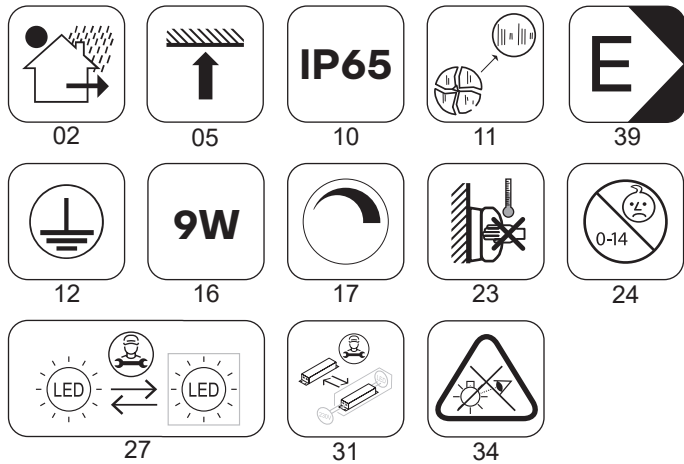
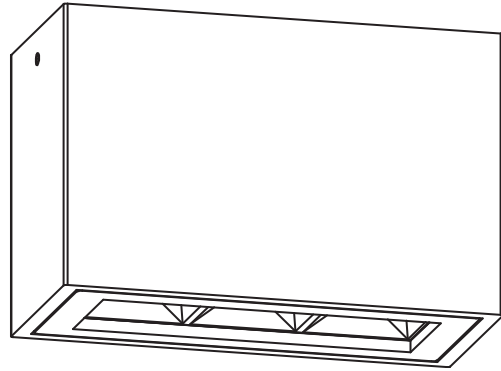
AROOS

Art. 90947, 90948, 90949, 90950, 90951, 90952
LED XT-E CREE, 41W



AROOS

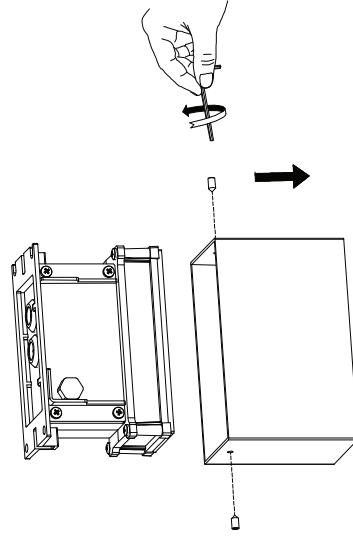
Art. 91235-DALI, 91236-DALI, 91237-DALI,
91238-DALI, 91239-DALI, 91240-DALI
SMD LED, 3 x 2,2W



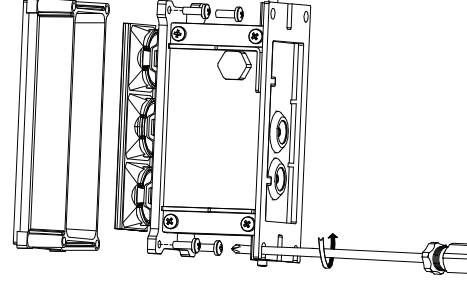
GHID DE ÎNLOCUIRE A LENTILELOR

LENS REPLACEMENT GUIDE

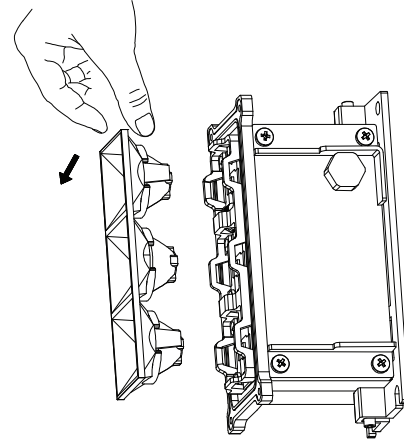
①



②

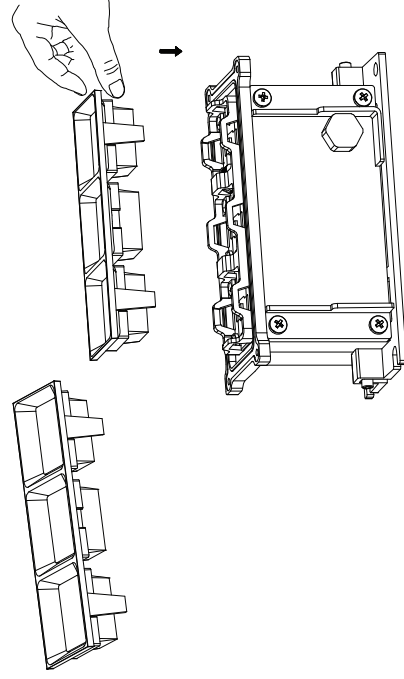


③



④-1

35x70°



④-2

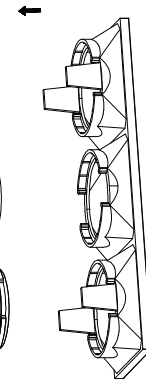
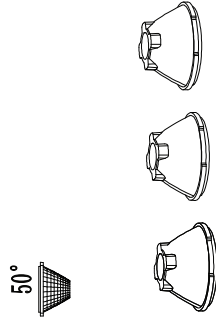
24°



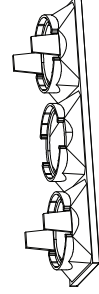
38°



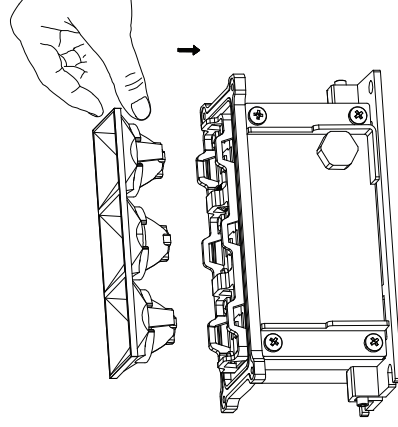
50°



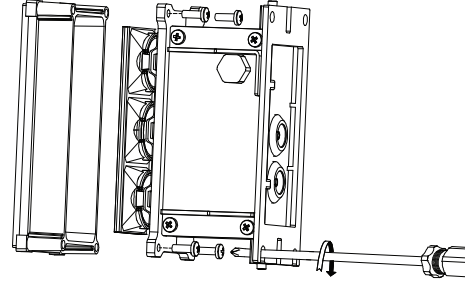
Scoateți lentilele vechi
Remove the old lenses



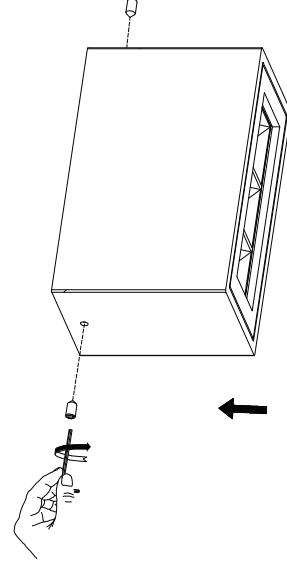
Montați lentilele noi
Install the new lenses



⑤

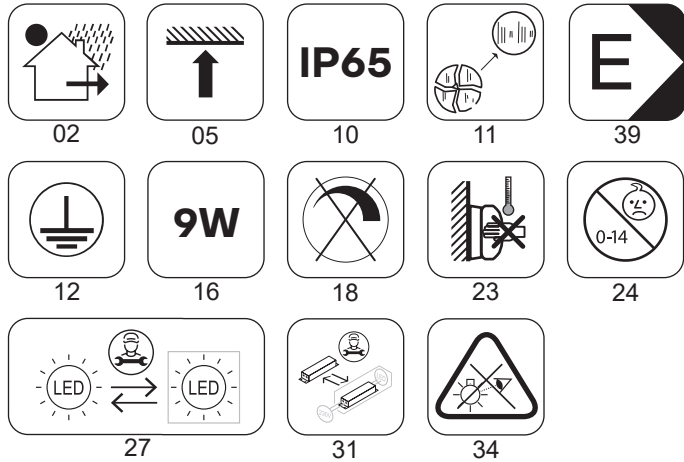
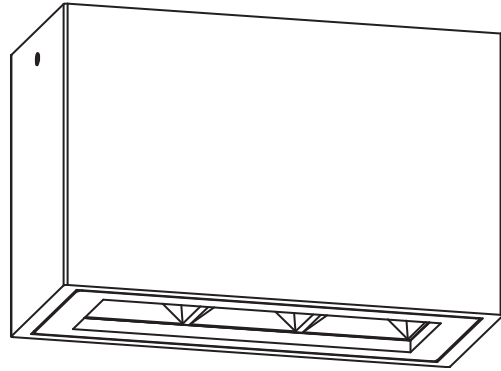


⑥



AROOS

Art. 91235, 91236, 91237, 91238, 91239, 91240
SMD LED, 3 x 2,2W



①

②

③

④

⑤

ALBASTRU / BLUE ———— N
VERDE-GALBEN / GREEN-YELLOW ———— PE
MARO / BROWN ———— L

⑥

⑦

⑧

Optional Angles

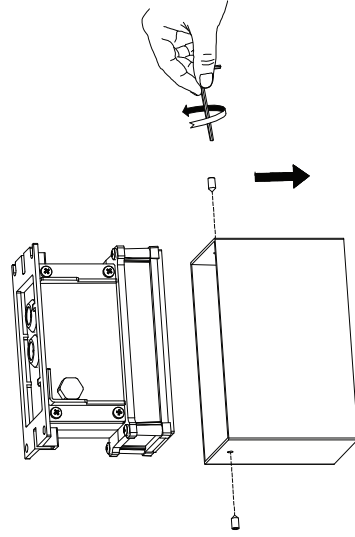
24° 38° 50°

35/70°

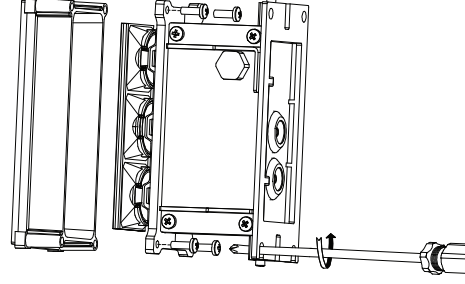
GHID DE ÎNLOCUIRE A LENTILELOR

LENS REPLACEMENT GUIDE

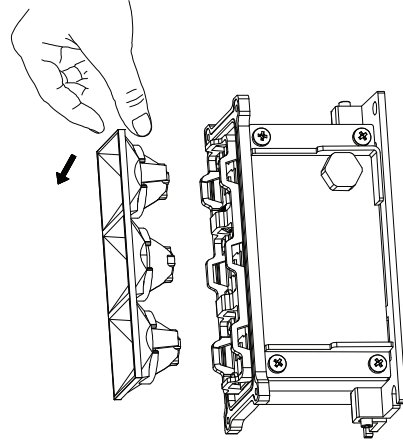
①



②

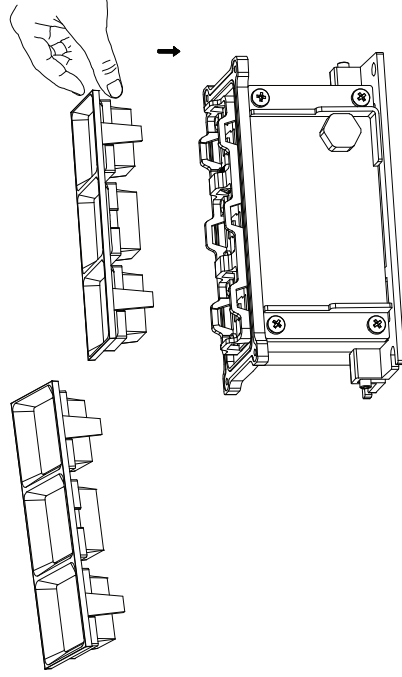


③



4-1

35x70°



4-2

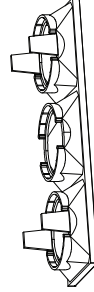
24°



38°



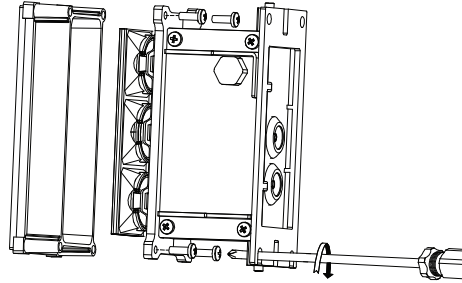
50°



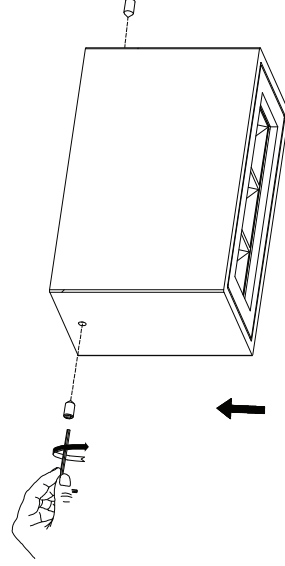
Montați lentilele noi
Install the new lenses

Scoateți lentilele vechi
Remove the old lenses

⑤

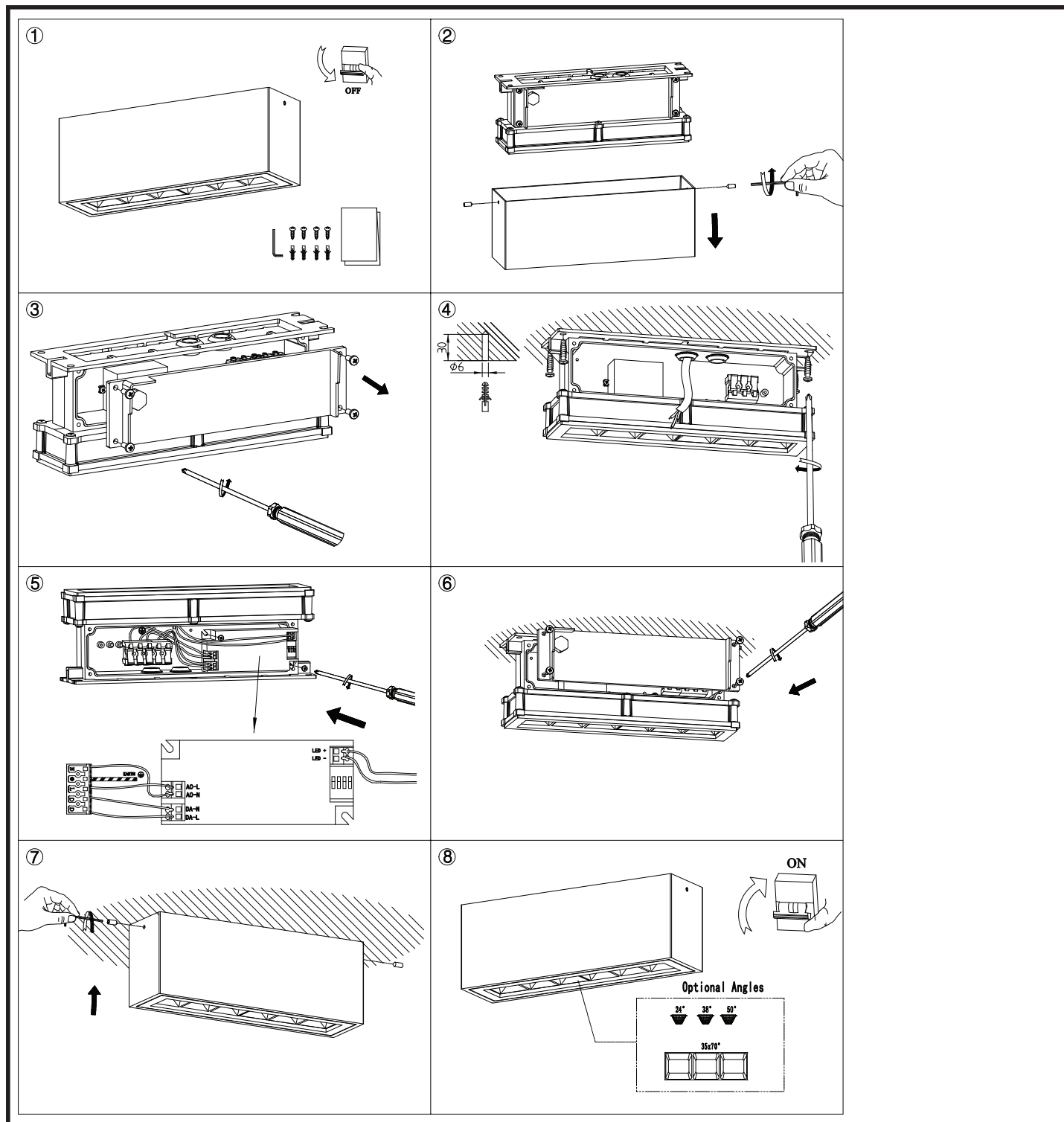
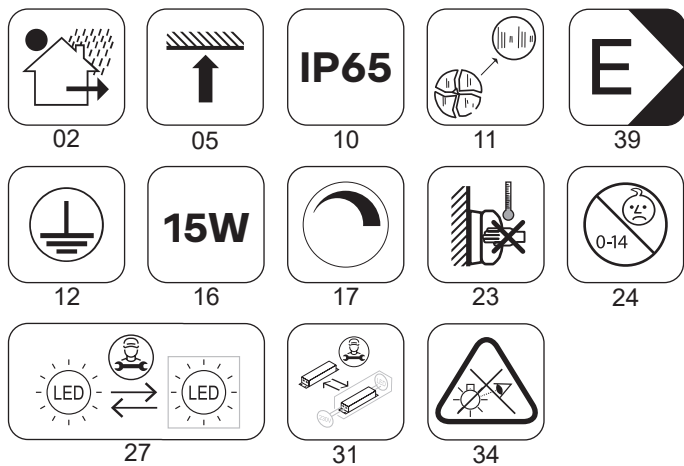
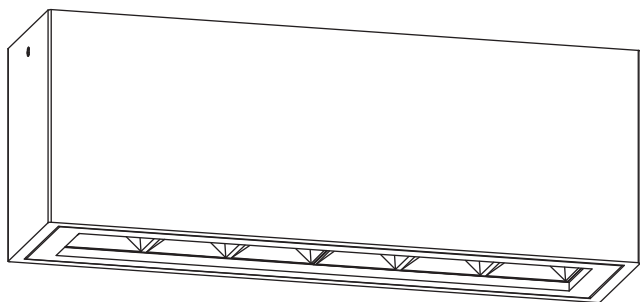


⑥



AROOS

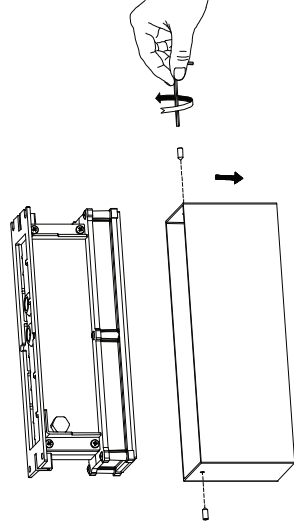
Art. 91241-DALI, 91242-DALI, 91243-DALI
 91244-DALI, 91245-DALI, 91246-DALI
 SMD LED, 6 x 2,1W



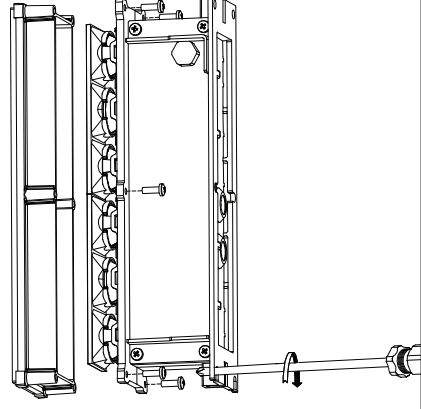
GHID DE ÎNLOCUIRE A LENTILELOR

LENS REPLACEMENT GUIDE

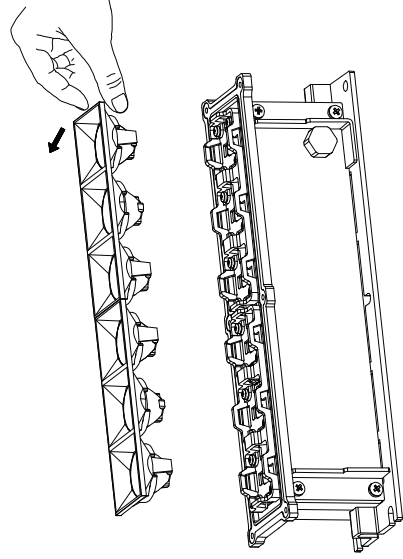
①



②

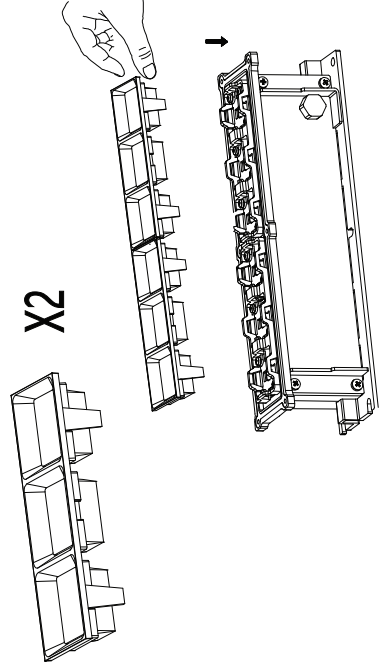


③

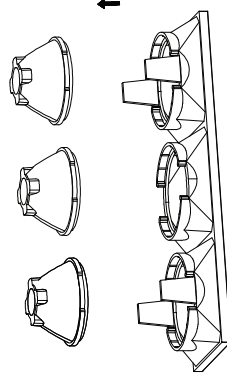
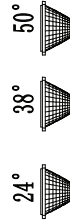


④-1

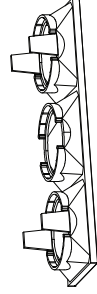
35x70°



④-2

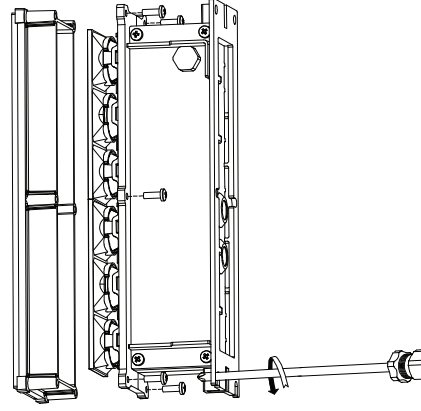


Scoateți lentilele vechi
Remove the old lenses

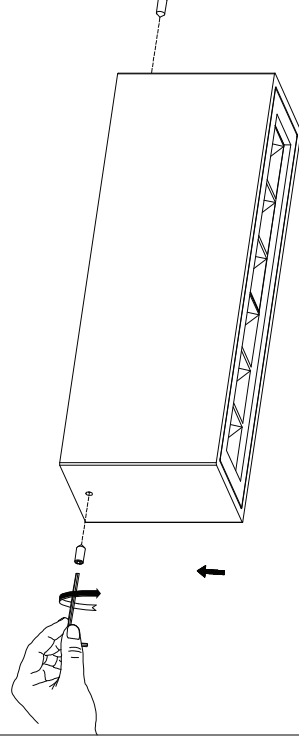


Montați lentilele noi
Install the new lenses

⑤

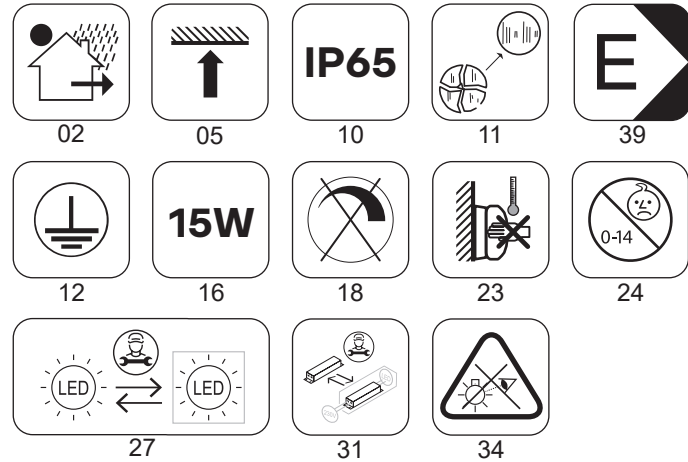
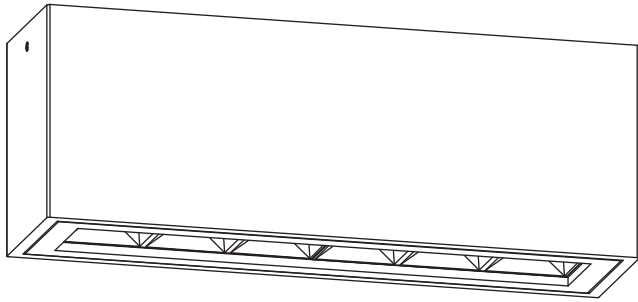


⑥



AROOS

Art. 91241, 91242, 91243, 91244, 91245, 91246
SMD LED, 6 x 2,1W



① OFF

②

③

④

⑤

⑥

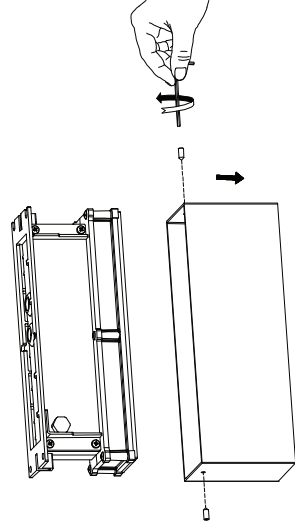
⑦

⑧ ON
Optional Angles
24° 38° 50°
35x70°

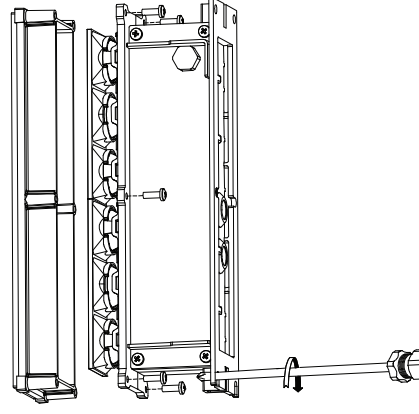
GHID DE ÎNLOCUIRE A LENTILELOR

LENS REPLACEMENT GUIDE

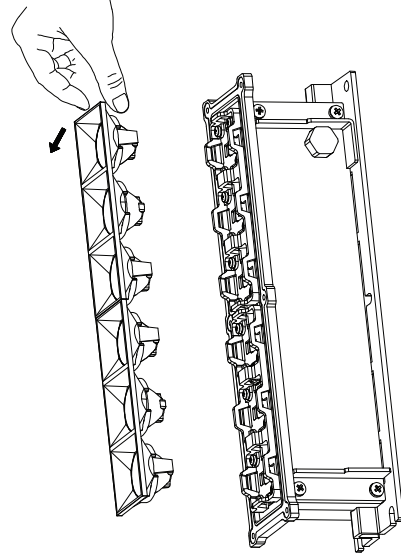
①



②

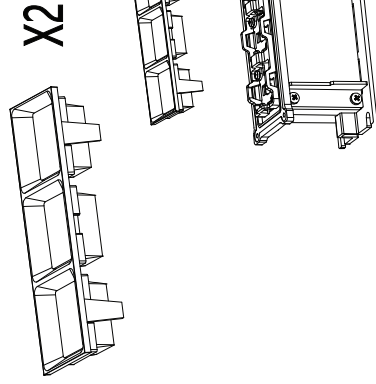


③

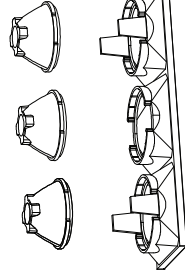
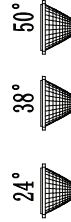


④-1

35x70°

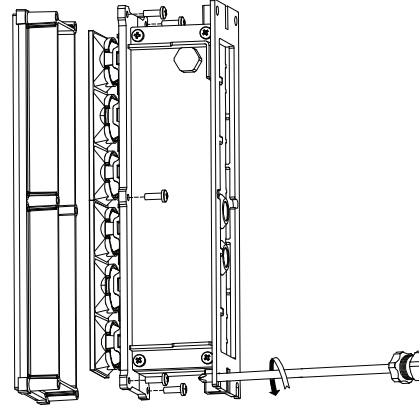


④-2



Montați lentilele noi
Install the new lenses

⑤



⑥

